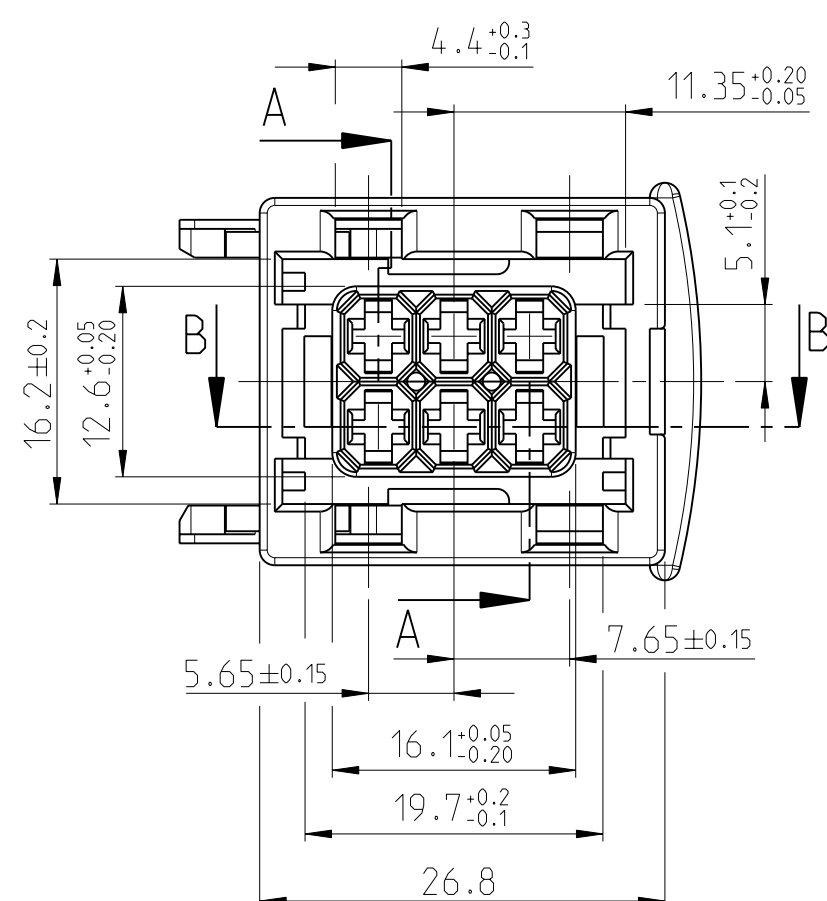
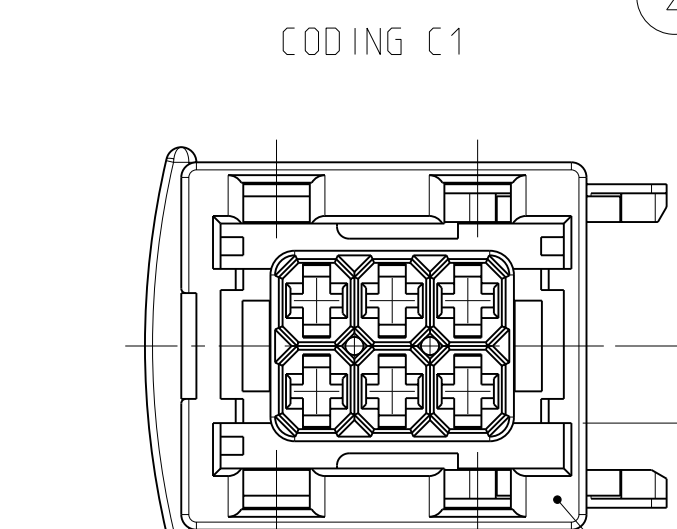
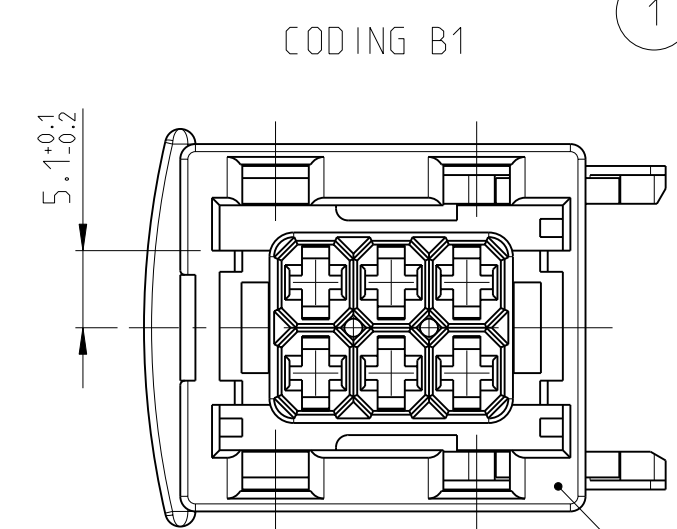
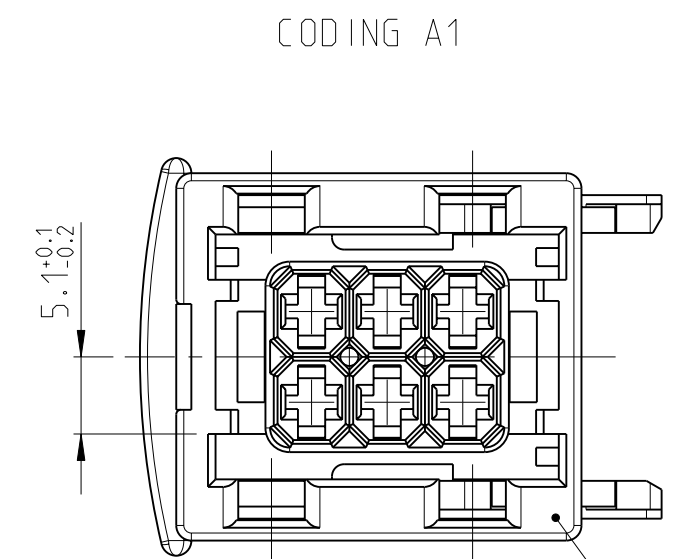
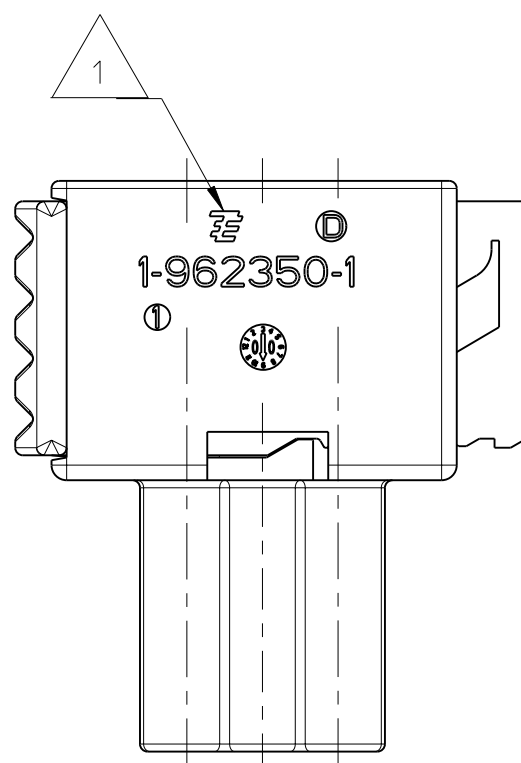
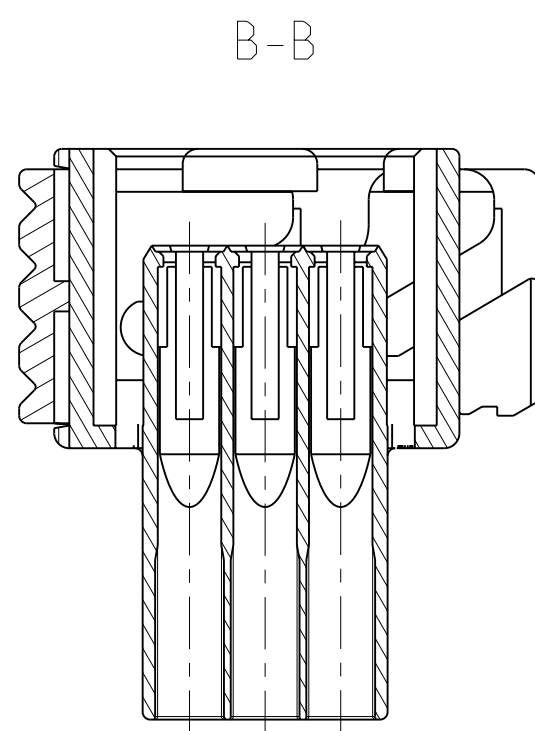
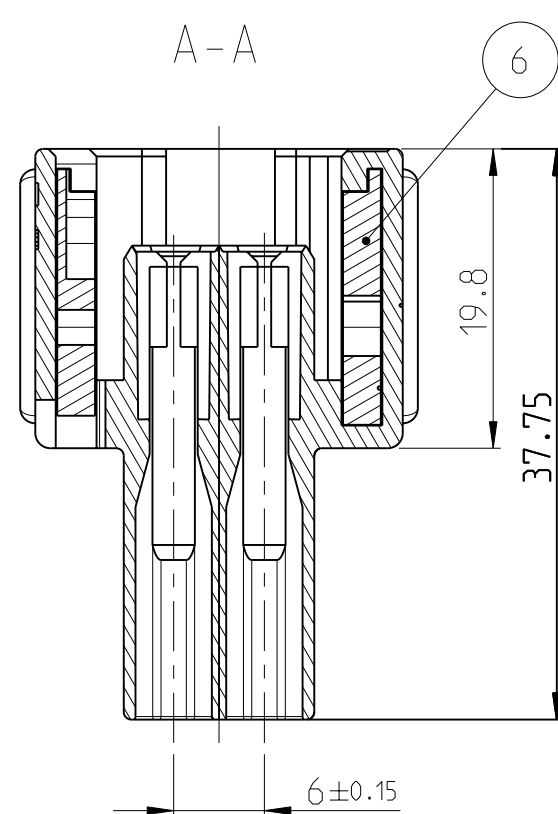
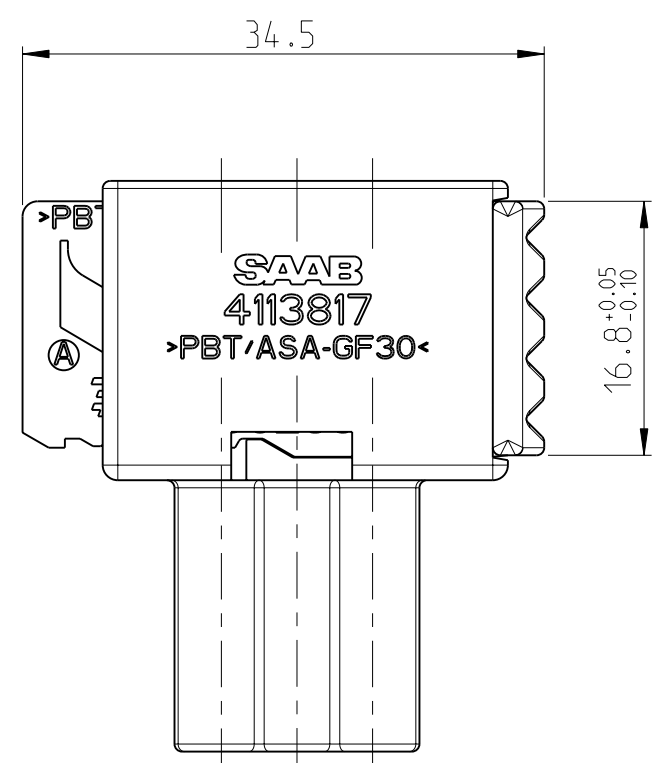
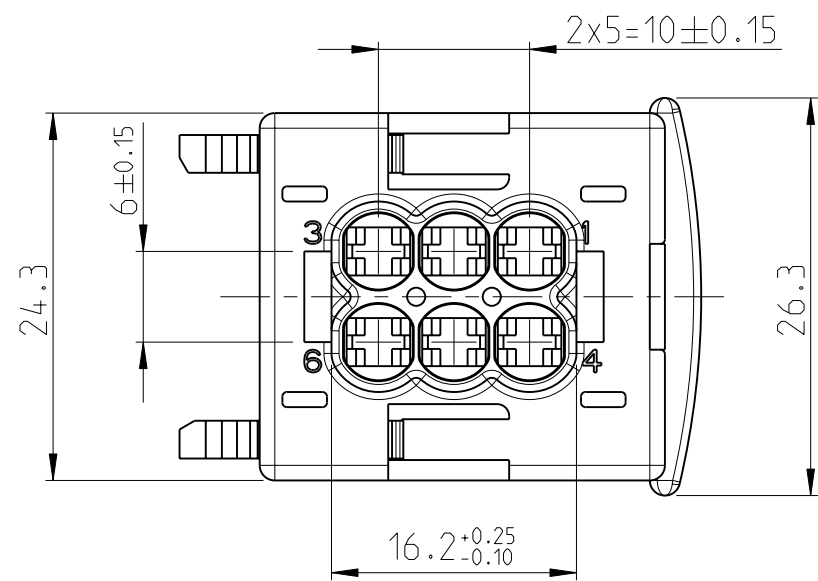


THIS DRAWING IS UNPUBLISHED. RELEASED FOR PUBLICATION 2010
 © COPYRIGHT 2010 BY TYCO ELECTRONICS CORPORATION. ALL INTERNATIONAL RIGHTS RESERVED.

LOC	DIST	REVISIONS					
GT	-	P	LTR	DESCRIPTION	DATE	DWN	APVD
		D1		SEE ECR-10-024362	08DEC2010	BM	TK



TE PART NO.	REV	PCS.	SAAB PART NO.	MATERIAL	COLOUR	DESCRIPTION	ITEM
5-963212-1	D	1		PBT-GF30	RED	SLIDE	6
5-963212-1	D	1		PBT/ASA-GF30	WHITE	6 POS. JPT HSG. COD N	5
4-963212-1	D	1		PBT-GF30	RED	SLIDE	6
4-963212-1	D	1		PBT/ASA-GF30	BROWN	6 POS. JPT HSG. COD D1	4
3-963212-1	D	1	4113833	PBT-GF30	RED	SLIDE	6
3-963212-1	D	1		PBT/ASA-GF30	BLUE	6 POS. JPT HSG. COD C1	3
2-963212-1	D	1	4113825	PBT-GF30	RED	SLIDE	6
2-963212-1	D	1		PBT/ASA-GF30	GREY	6 POS. JPT HSG. COD B1	2
1-963212-1	D	1	4113817	PBT-GF30	RED	SLIDE	6
1-963212-1	D	1		PBT/ASA-GF30	BLACK	6 POS. JPT HSG. COD A1	1

1- -1 AS SHOWN

NOTES
Bemerkung

NEW TE LOGO VALID ONLY FOR NEW TOOLS

THIS DRAWING IS A CONTROLLED DOCUMENT FOR TYCO ELECTRONICS CORPORATION
 IT IS SUBJECT TO CHANGE AND THE CONTROLLING ENGINEERING ORGANIZATION
 SHOULD BE CONTACTED FOR THE LATEST REVISION.

DIMENSIONS:	TOLERANCES UNLESS OTHERWISE SPECIFIED:
mm	0 PLC ±0.3mm
	1 PLC ±0.3mm
	2 PLC ±0.3mm
	3 PLC ±
	4 PLC ±
	ANGLES ±°
MATERIAL FINISH	

DWN	M. Benes	08DEC 2010
CHK	S. Ryska	08DEC 2010
APVD	I. Konecny	09DEC 2010
PRODUCT SPEC	108-18102	
APPLICATION SPEC	114-18175	
WEIGHT	-	
CUSTOMER DRAWING		

Tyco Electronics		Tyco Electronics Czech s.r.o. CZ - 664 34 Kurim	
NAME 6POS. JPT-HSG. ASSY 6pol. JPT Gehäuse Assy			
SIZE	CAGE CODE	DRAWING NO	RESTRICTED TO
A2	00779	G-963212	-
SCALE	2:1	SHEET	1 OF 1
REV	01		